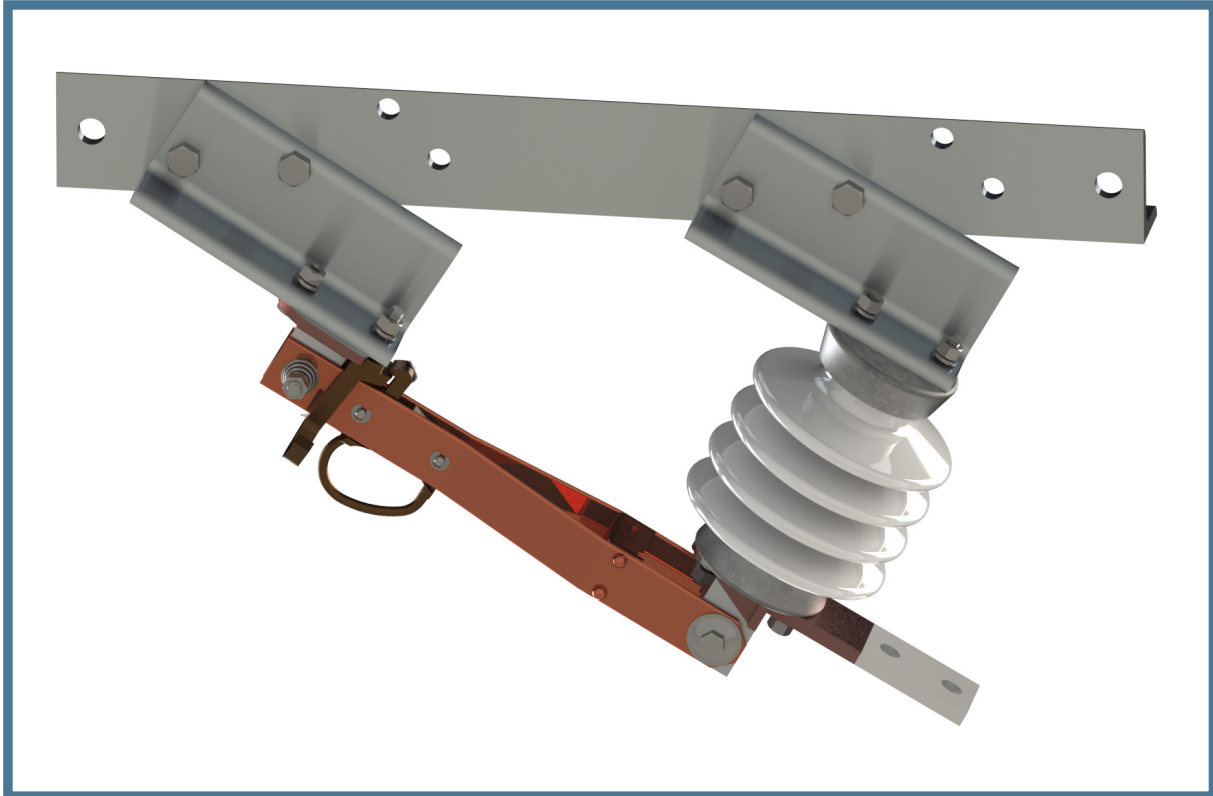


TYPE BILT DISCONNECT SWITCHES

OUTDOOR HOOKSTICK OPERATED (DISTRIBUTION CLASS)



- For sectionalizing and tap applications
- 7.5KV through 38KV
- 900A -- 40,000A momentary
- Furnished with hooks for loadbreak tool
- Used on armless or crossarm line construction



MANUFACTURER OF HIGH VOLTAGE PRODUCTS SINCE 1914
1.800.426.4380

FEATURES OF THE TYPE BILT DISCONNECT SWITCH

- Eliminates insulator in tension.
- Furnished with hooks for use with portable loadbreak tool.
- Light-compact-easy to install. Structural members are aluminum.
- Tinned 2-hole NEMA terminal pads.
- Switch furnished with 2-1/4" bolt circle insulators.
- Smooth, simple latch action - ease and certainty of operation.
- All switch current carrying parts of hard-drawn copper, cast copper, or high conductivity bronze.
- Truss-type blade design for extra strength.
- Double-tongue contact - extra contact surface.
- All contacts silver plated.

The Royal BILT switch was designed to meet increasing demands for unobtrusive overhead distribution line construction. It is a compact switch for mounting directly in the line or on a single pole top insulator. It has the special feature of not placing the insulator in tension.

Applications of the BILT switch are for sectionalizing or tapping distribution lines from 7.5kV through 38kV. Current ratings are 900 amperes continuous, 40,000 amperes momentary.

Installation of the BILT switch is simple. For a feeder tap, the conductor fastens directly to the switch base. For sectionalizing, a suspension insulator is used at one end of the switch. The switch may be dead-ended at a pole-top insulator by means of an extension link.

Configurations typically used for sectionalizing and for feeder taps are shown below.

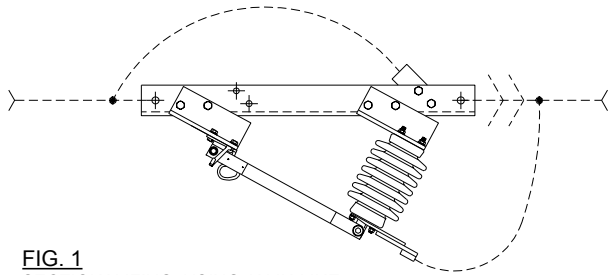


FIG. 1
SECTIONALIZING, USING AN IN-LINE
INSULATOR.

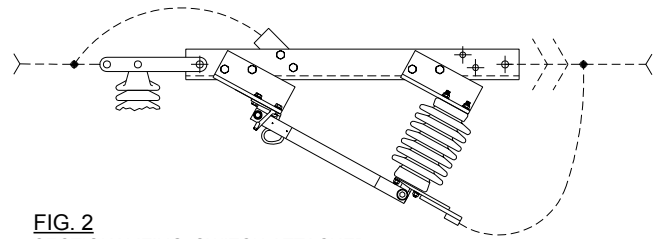


FIG. 2
SECTIONALIZING, SWITCH ATTACHED
TO A POLE-TOP OR CROSSARM
INSULATOR.

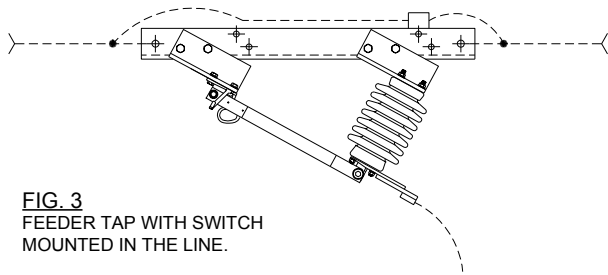


FIG. 3
FEEDER TAP WITH SWITCH
MOUNTED IN THE LINE.

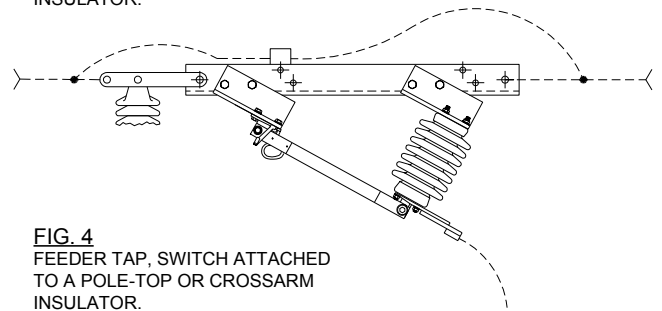
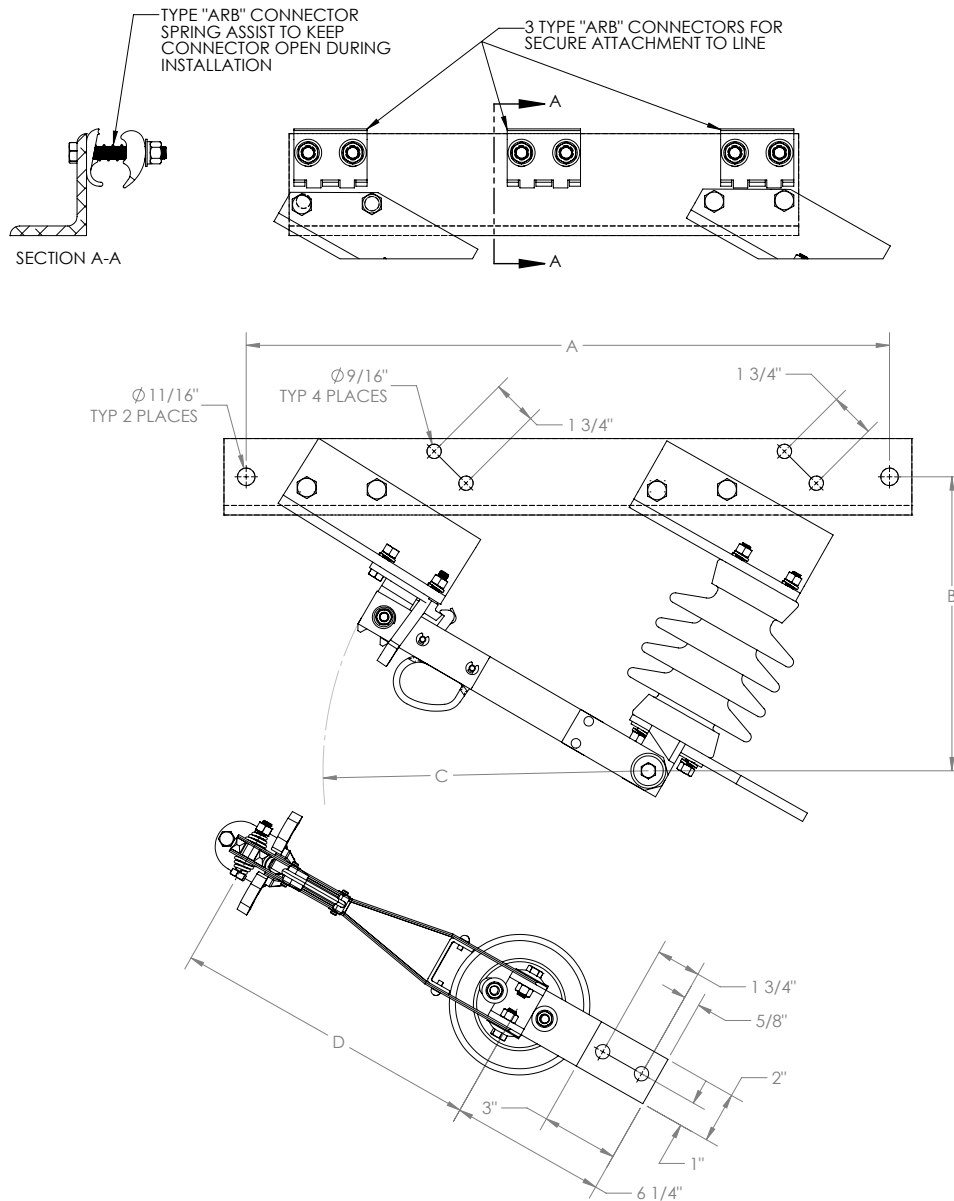


FIG. 4
FEEDER TAP, SWITCH ATTACHED
TO A POLE-TOP OR CROSSARM
INSULATOR.

TYPE BILT DISCONNECT SWITCH



CATALOG NO.	RATINGS		INSULATOR		DIMENSIONS (IN)				Weight (Lbs.)
	KV NOM. (MAX.)	CURRENT CONT. (A)	BIL kv	BOLT CIRCLE	A	B	C	D	
19837	7.5 (8.3)	900	95	2 1/4"	25 1/4	11 1/4	12 3/4	12	22
19838	15 (15.5)	900	95	2 1/4"	25 1/4	11 1/4	12 3/4	12	22
19839	15 (15.5)	900	110	2 1/4"	27 5/8	12 3/8	14 3/4	14	24
19840	23 (27)	900	125	2 1/4"	28 7/8	13 1/2	14 3/4	14	27
19841	23 (27)	900	150	2 1/4"	30 5/8	13 7/8	16 3/4	16	30
19842	34.5 (38)	900	150	2 1/4"	30 5/8	13 7/8	16 3/4	16	30

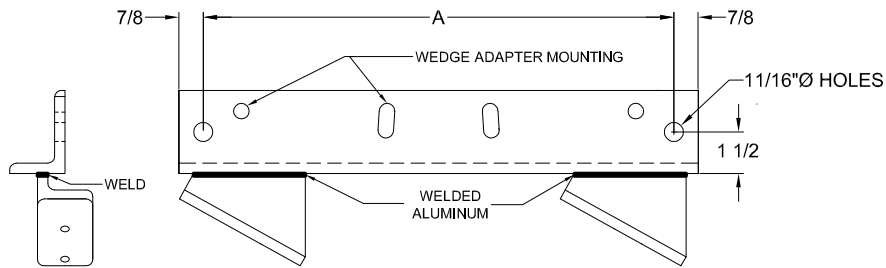
NOTES:

1. Type "ARB" connectors shown and when specified, should be appended to catalog number as "-ARB."
2. Standard bases are shown. Custom bases available upon request.
3. Porcelain insulators shown. Cycloaliphatic epoxy and polymer insulators are available.
4. Terminal connector options shown on page 5.

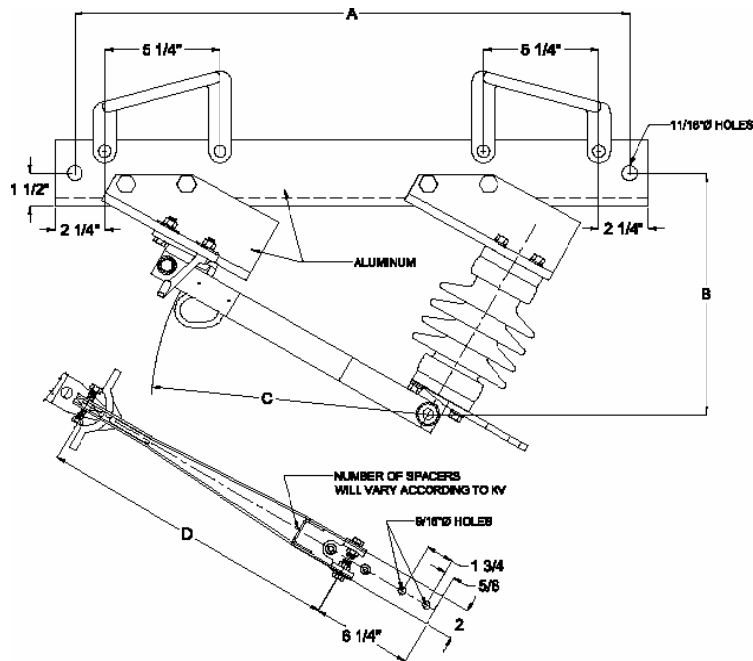
TYPE BILT DISCONNECT SWITCH

- Supplied with adapters for using wedge connectors to attach switch to overhead conductor.
- Can be installed on existing span without cutting conductor.

Welded Base



Bolted Base

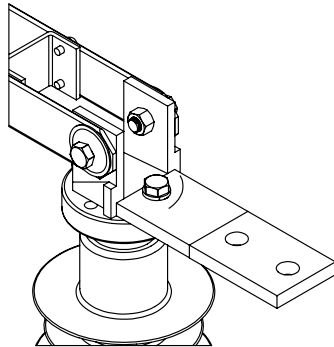


CATALOG NO.		WITH WEDGE ADAPT.		RATINGS		INSULATOR		DIMENSIONS (IN)				Weight (Lbs.)
BOLTED	WELDED	1/2" DIA. 4/0 EQUIV.	3/4" DIA. 477kcmil EQUIV.	KV NOM. (MAX.)	CURRENT CONT. (A)	BIL KV	BOLT CIRCLE	A	B	C	D	
20215	20359	-50AH	-75AH	7.5 (8.3)	900	95	2 1/4"	25 1/4	11 1/4	12 3/4	12	24
20216	20360	-50AH	-75AH	15 (15.5)	900	95	2 1/4"	25 1/4	11 1/4	12 3/4	12	24
20217	20361	-50AH	-75AH	15 (15.5)	900	110	2 1/4"	27 5/8	12 3/8	14 3/4	14	26
20218	20362	-50AH	-75AH	23 (27)	900	125	2 1/4"	28 7/8	13 1/2	14 3/4	14	29
20219	20363	-50AH	-75AH	23 (27)	900	150	2 1/4"	30 5/8	13 7/8	16 3/4	16	32
20220	20364	-50AH	-75AH	34.5 (38)	900	150	2 1/4"	30 5/8	13 7/8	16 3/4	16	32

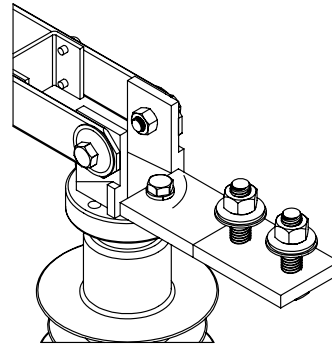
NOTES:

1. Ordering example - A 15kV, 110kV BIL switch with 1/2" diameter wedge adapters is catalog number 20217-50AH.
2. Porcelain insulators shown. Cycloaliphatic epoxy and polymer insulators are available.
3. Terminal connector options shown on page 5.

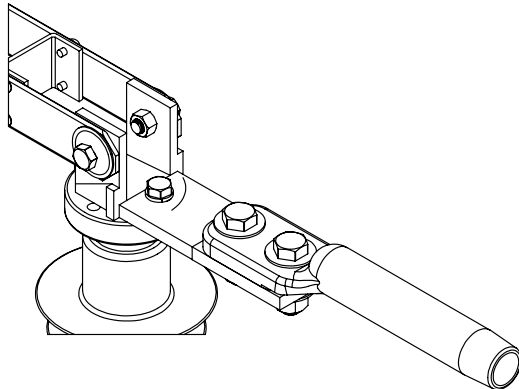
TYPE BILT DISCONNECT SWITCH - TERMINAL OPTIONS



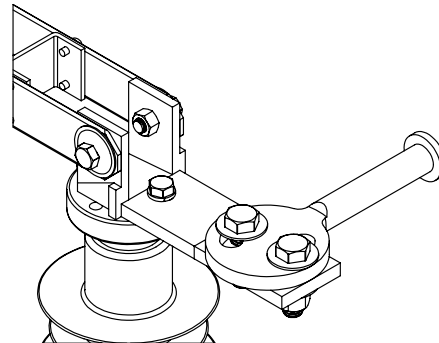
TINNED TERMINAL
BARE COPPER TERMINAL



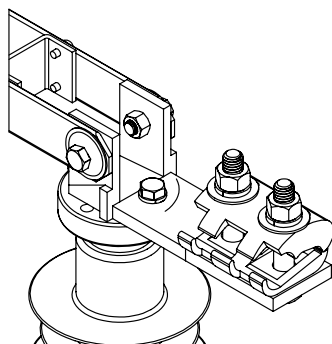
CAPTIVE HARDWARE INCLUDES (2) SS BOLT, (2) SS
FLAT WASHERS, (2) SS LOCK WASHERS, & (2) SS
NUTS PER TERMINAL CONTAINED WITH RECESSED
NYLON WASHERS FOR ONE WRENCH INSTALLATION
OF CONNECTORS.



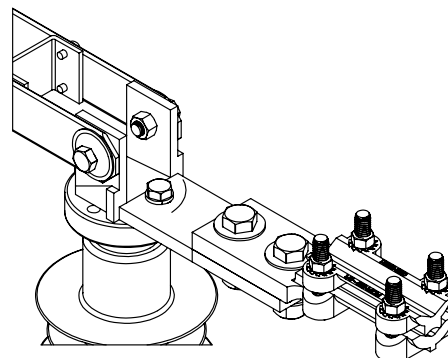
TYPE "CFC-740-2N" ALUMINUM COMPRESSION CONNECTOR
WITH ATTACHING HARDWARE
CABLE RANGE: 300 ACSR - 397.5 ACSR



HOTLINE CLAMP WITH ATTACHING HARDWARE



TYPE "ARB" TINNED ALUMINUM CONNECTOR
WITH ATTACHING HARDWARE
CABLE RANGE: #2 SOLID - 556.5 AAC



TYPE "RWE-13604" TINNED TERMINAL CONNECTOR
WITH ATTACHING HARDWARE
CABLE RANGE: 1/0 SOLID - 500 MCM CU